

## SYSTEM FEATURES



- Protects sensitive electronics and appliances against the harmful effects of lightning strikes and internally generated electrical transients
- Includes pre-wired pigtail conductors to streamline installation
- Fail-safe design
- Dual Component Level Fusing (CLF) provides over-current plus thermal protection for added safety
- UL 1449 3rd Edition
- Small, compact footprint - makes installation flexible
- 10-Year Unlimited Free Replacement Warranty

## PRODUCT SPECIFICATIONS

### GENERAL SPECIFICATIONS

**Maximum Rated Surge Current:** 40kA per phase  
**Application:** ANSI/IEEE C62.41 Location C, B & A. Ideal for residential service entrance and branch panel applications  
**Design:** Ultra compact, fail-safe design with dual component-level fusing  
**Warranty:** 10-Year Unlimited Free Replacement  
**Safety Listing:** UL 1449 3rd Ed., Type 1 for Type 1 & Type 2 locations  
**Nominal Discharge Surge Current  $I_n$ :** 20kA

### ELECTRICAL SPECIFICATIONS

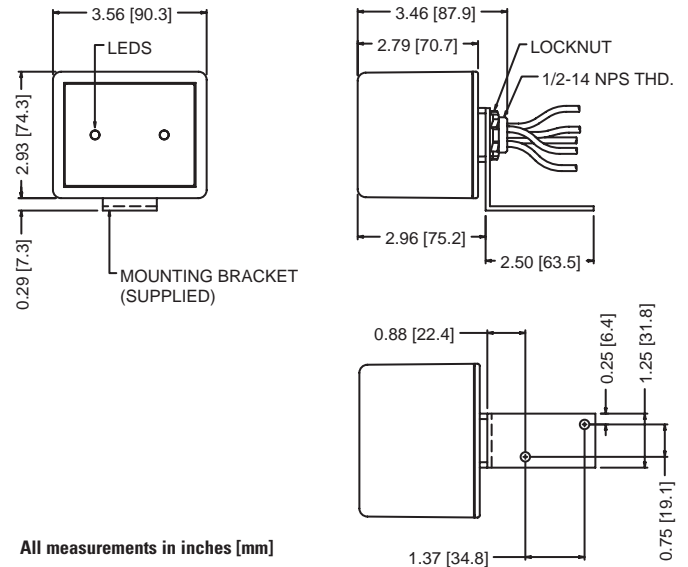
**Modes of Protection:** All modes. L-N, L-L, L-G & N-G (Discrete Protection on L-N & N-G)  
**Input Power Frequency:** 40-440 Hz  
**Response Time:** < 1 nanosecond  
**Standard Monitoring:** Status indicator light  
**Short Circuit Current Rating (SCCR):** 25kAIC short circuit current rating using a max 30A fuse or breaker

### MECHANICAL SPECIFICATIONS

**Dimensions:** 2.93" H x 3.56" W x 2.79" D (74.3 mm H x 90.3 mm W x 70.7 mm D)  
**Enclosure:** High-impact non-metallic weatherproof  
**Connection:** Pre-wired with 18" (457 mm) of #14 AWG (2.08 mm<sup>2</sup>) conductor  
**Mounting:** Comes with a threaded 1/2" (15 mm) hub for easy knockout mounting or L-shaped bracket for stand-alone wall mounting  
**Operating Environment:** -40° C to 70° C (-40° F to 160° F); 5% to 95% non-condensing humidity  
**Weight:** 2.00 lbs (1.0kg)

### PANELTRACK RESIDENTIAL

Model Number	Description	Surge Rating
TK-RK040-1S240-L	120/240VAC, 1ø 3-wire + grd	40kA/phase



## AVAILABLE CONFIGURATIONS

Model Number	System Voltage	System Configuration	Surge Rating (per phase)	Protection Mode	MCOV	ANSI/IEEE C62.41.1-2002, C62.41.2-2002, & C62.45-2002 Measured Limited Voltage			SRV Data
						A3 Ring Wave 6kV, 200A 90° Phase Angle	B3/C1 Impulse Wave 6kV, 3kA 90° Phase Angle	C3 Impulse Wave 20kV, 10kA 90° Phase Angle	UL 1449 3rd Edition
									Suppressed Voltage Ratings
TK-RK040-1S240-L	120/240V	1-Phase 2-wire+grnd	40kA	L-N N-G	300 300	475 475	590 610	950 1120	400/700 400/700

All tests performed with 6" (152 mm) lead length, positive polarity. All voltages are peak values (±10%) measured from the zero reference point at the phase angles referenced above using a 10 µs/div display rate and 500 Mega samples/sec sampling rate. Specifications subject to change without notice. See web site [www.TPSSurge.com](http://www.TPSSurge.com) for latest revisions.

