

---

## Surge Protective Devices

**ServiceTrack ST Series:  
080, 120, 160, 240,  
300 and 400**

Installation,  
Operation and  
Maintenance  
Manual



## TABLE OF CONTENTS

Before Installation .....	3 – 7
<i>System Configuration Verification</i> .....	3
<i>Wiring Connection Diagrams</i> .....	4
<i>Upstream Over-Current Protection Device</i> .....	5
<i>Conductor Routing</i> .....	5
<i>Conductor Sizing</i> .....	5
<i>Conduit Openings</i> .....	5 – 6
<i>Mounting</i> .....	7
Connection and Wiring Instructions .....	7 – 9
<i>Phase, Neutral and Ground Connections</i> .....	7
<i>Connecting Form C Dry Contacts</i> .....	8
<i>Neutral to Ground Filter Jumper</i> .....	9
<i>Disconnect Switch Connections</i> .....	9
<i>Verification and Power Up</i> .....	9
Troubleshooting .....	10
Technical Assistance .....	10
Returns and Warranty Procedures .....	10
Warranty Statement .....	11

## BEFORE INSTALLATION



**WARNING: HAZARDOUS VOLTAGES PRESENT** Improper installation or misapplication may result in serious personnel injury and/or damage to electrical system. Read the complete installation instructions before proceeding with installation. Remove all power to the electrical panel before installing or servicing the surge protective device (SPD).

**IMPORTANT SAFETY INSTRUCTIONS** All work must be performed by licensed and qualified personnel. The electrical system must be properly grounded in accordance with the U.S. National Electrical Code, state and local codes or other applicable codes for this SPD to function properly. Do not connect ServiceTrack ST to the line side of the main service breaker or disconnecting means. This device is suitable for installation where the available short circuit current is 200,000 rms symmetrical amperes at 600VAC or less.

### 1. System Configuration Verification

Confirm that the voltage(s) and service configuration shown on the ServiceTrack ST product label are consistent with the voltage and service configuration of the facility. A model number is on the right side of the ServiceTrack ST unit. Each model number corresponds to the configurations printed in the table below:

Example of a SPD model number: TK-ST240-3Y208-FLB<sup>1</sup>

MODEL NUMBER	NOMINAL VOLTAGE	L-N VOLTAGE RANGE	L-L VOLTAGE RANGE	CONFIGURATION
TK-STxxx-1P120	120	108-132	N/A	Single-Phase, 2-wire+ground
TK-STxxx-1P240	240	216-264	N/A	Single-Phase, 2-wire+ground
TK-STxxx-1S240	120/240	108-132	216-264	Split-Phase, 3-wire+ground
TK-STxxx-3Y208	120/208	108-132	187-229	4-wire+ground Three-Phase WYE
TK-STxxx-3Y380	220/380	198-242	342-418	Three-Phase WYE 4-wire+ground
TK-STxxx-3Y415	240/415	216-264	374-457	Three-Phase WYE 4-wire+ground
TK-STxxx-3Y480	277/480	249-305	432-528	Three-Phase WYE 4-wire+ground
TK-STxxx-3Y600	347/600	312-382	540-660	Three-Phase WYE 4-wire+ground
TK-STxxx-3D240	120/240	108-132 (A & C PHASES) 187-229 (B PHASE)	216-264	Three-Phase high-leg DELTA 4-wire+ground
TK-STxxx-240NN	240	N/A	216-264	Three-Phase DELTA 3-wire+ground
TK-STxxx-380NN	380	N/A	342-418	Three-Phase DELTA 3-wire+ground
TK-STxxx-480NN	480	N/A	432-528	Three-Phase DELTA 3-wire+ground
TK-STxxx-600NN	600	N/A	540-660	Three-Phase DELTA 3-wire+ground

xxx denotes surge rating per phase (080, 120, 160, 240, 300, or 400)

<sup>1</sup> Suffixes shown at the end of model number denote available options (-F for enhanced transient filter, -L for component-level fusing, -B for surge counter, and -XX for NEMA4X stainless steel enclosure).

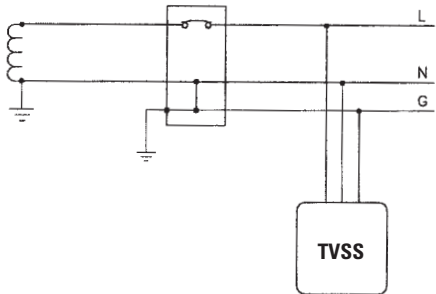


**WARNING:** Check to ensure that a proper bond is installed between neutral and ground at the transformer upstream from all 3-phase WYE, 3-phase high leg DELTA or split-phase ServiceTrack ST device (See NEC Article 250). If the transformer is not accessible, check the main service disconnect/panel for the N-G bond. Lack of a proper bond will damage ServiceTrack ST and void the warranty.

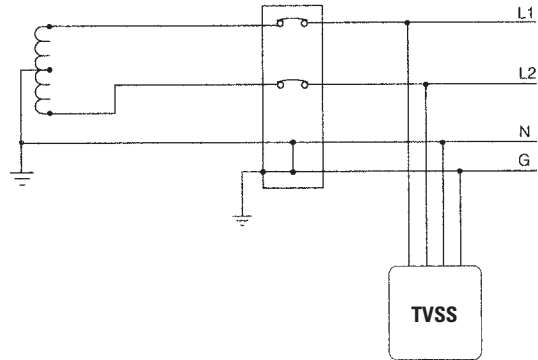
## 2. Wiring Connection Diagrams

Figures 1-5 show the electrical relationship between ServiceTrack ST and these five basic service configurations: Single phase, 2 wire; Split phase, 3 wire; Three phase, 4 wire WYE; Three phase, 3 wire DELTA and Three phase, 4 wire high leg DELTA.

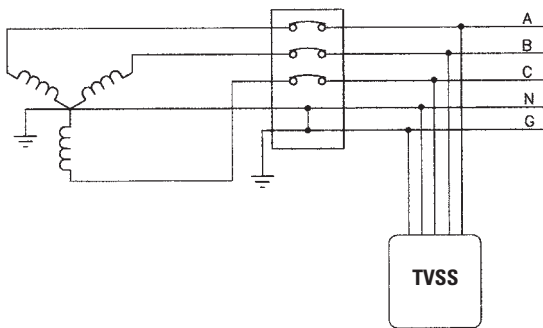
**Fig. 1: Single Phase, 2-Wire**



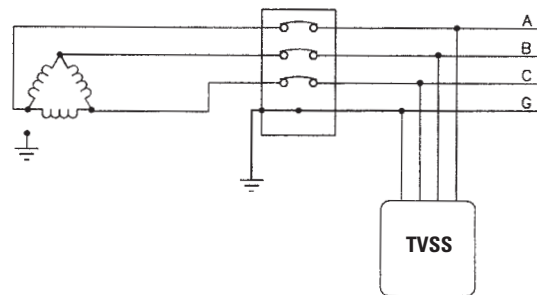
**Fig. 2: Split Phase, 3-Wire**



**Fig. 3: 3-Phase, 4-Wire WYE**



**Fig. 4: 3-Phase, 3-Wire DELTA**

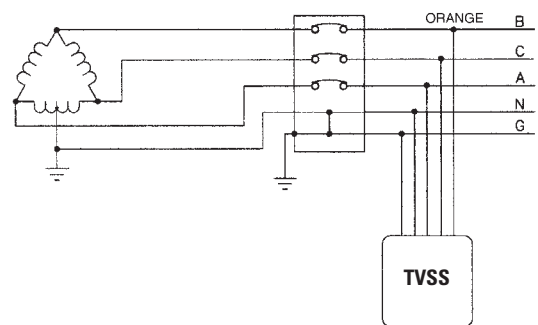


Connections to the SPD are clearly identified. For 80kA, 120kA and 160kA models, connections are made via pigtail leads supplied with the unit.

For 240kA, 300kA and 400kA models, connections are made to terminals inside the SPD enclosure. These terminals are marked with labels.

For 3 phase units phase A is marked as "PHASE A", phase B is marked as "PHASE B" and phase C is marked as "PHASE C". For split phase units, the phase connections are marked "Phase A" and "Phase B". For single-phase units, the phase connection is marked "Phase A". Neutral (if applicable) is marked as "N" and ground is marked as "GND".

**Fig. 5: 3-Phase, 4-Wire High-Leg DELTA**



### 3. Upstream Over-Current Protection Device

ServiceTrack ST must be connected in parallel to the electrical system.

- Standard ServiceTrack ST Units: Model Numbers Without “-L” Suffix

(Example model number: TK-ST080-3Y208-F)

These units MUST be connected to an upstream over-current protective device (circuit breaker, fuse or fused switch). The ratings for the upstream over-current protective device are as follows:

For 80kA, 120kA and 160kA units:

Class J or equivalent fuse or circuit breaker rated at 60 amperes/600 volts maximum

- Optional Component-Level Fusing Units: Model Numbers With “-L” Suffix

(Example of model number: TK-ST080-3Y208-FL)

These units DO NOT require an upstream over-current protection device and can be connected to the electrical distribution system bus. They have built-in over-current fusing rated at 200,000 rms symmetrical ampere at 600VAC.

### 4. Conductor Routing



**CAUTION:** ServiceTrack ST's performance will be limited severely if the conductors are (a) too long, (b) are of too small a wire gauge, (c) have too many bends or (d) have sharp bends.

The factors listed above should be addressed during the design of an installation to reserve a suitable place for ServiceTrack ST next to its point of connection to the electrical system. The selected mounting location should allow for the shortest possible conductor runs and a direct route with a minimum of bends. If bends are required, they should be *sweeping* bends. Do not make sharp 90° bends for appearance purposes because they will severely decrease the effectiveness of ServiceTrack ST.

Binding or twisting conductors together using tie-wraps or electrical tape increases the protection performance of the device.

### 5. Conductor Sizing

Joslyn recommends installing ServiceTrack ST by using the following conductor size for phase, ground and neutral connections. The conductor length should be as short as possible to ensure the maximum level of protection. Use a larger conductor (not to exceed the maximum allowed per a given model) where space and bending radii permit

Example of a SPD model number: TK-ST240-3Y208-FL

PRODUCT LABEL DESIGNATION	SURGE CURRENT CAPABILITY	CONDUCTOR SIZE		
		RECOMMENDED	MAXIMUM	MINIMUM
TK-ST080-xxxxx	80kA/phase <sup>1</sup>	#10AWG	#10AWG	#10AWG
TK-ST120-xxxxx	120kA/phase <sup>1</sup>	#10AWG	#10AWG	#10AWG
TK-ST160-xxxxx	160kA/phase <sup>1</sup>	#10AWG	#10AWG	#10AWG
TK-ST240-xxxxx	240kA/phase	#6 AWG	#3 AWG	#10AWG
TK-ST300-xxxxx	300kA/phase	#4 AWG	#3 AWG	#10AWG
TK-ST400-xxxxx	400kA/phase	#3 AWG	#3 AWG	#10AWG

<sup>1</sup> 80 through 160kA rated units are shipped with #10AWG leads. Leads should be shortened during installation in order to minimize conductor length.

### 6. Conduit Openings

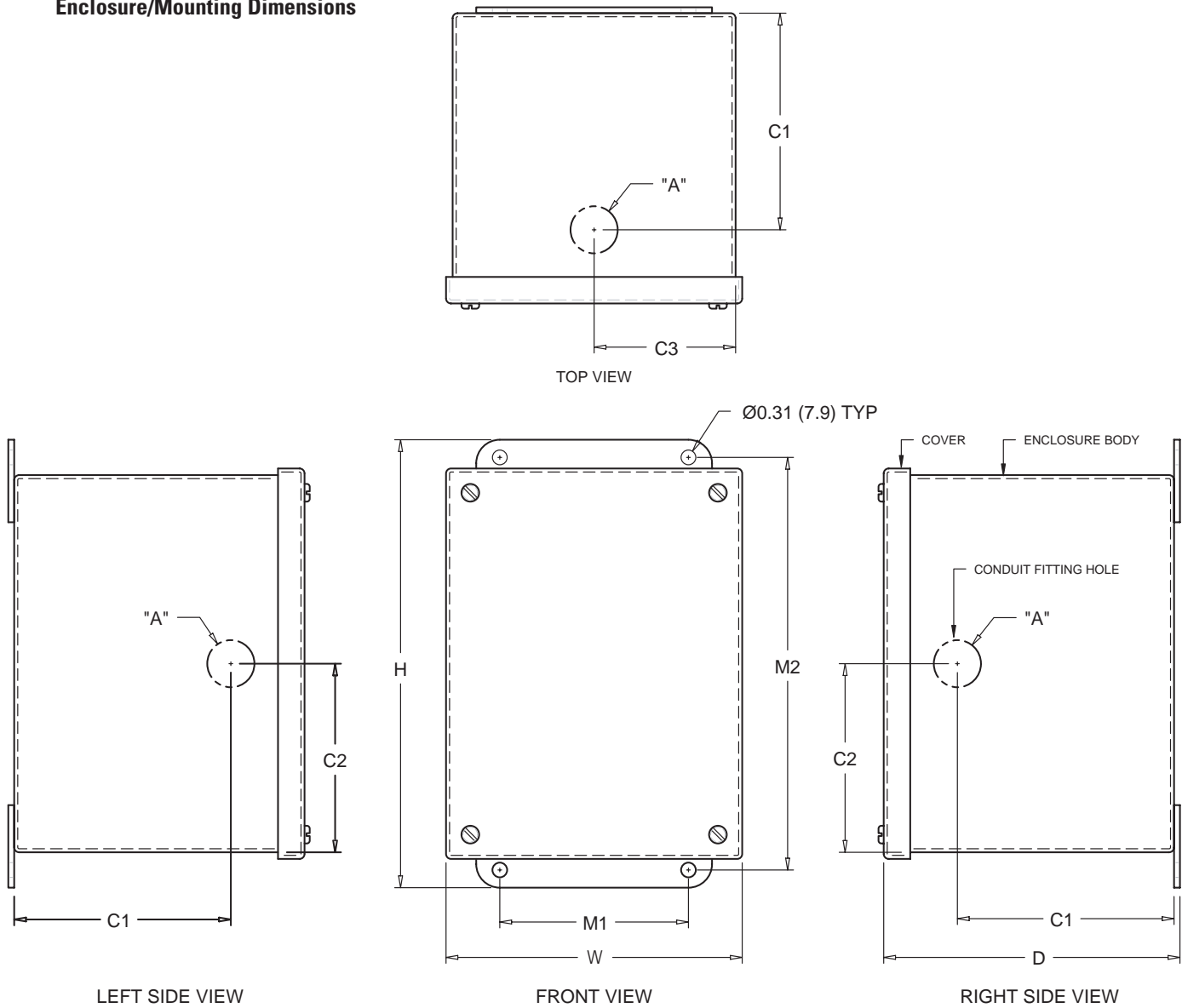
The 80kA, 120kA and 160kA units come with a 3/4” conduit hub. This hub requires a 1- 1/8” diameter hole for proper installation. Note the hub supplied with the unit, when properly installed, ensures the enclosure maintains its NEMA 4 rating.

The 240kA, 300kA and 400kA units come with a 1” conduit hub. This hub requires a 1-11/32” diameter hole for proper installation. Note the hub supplied with the unit, when properly installed, ensures the enclosure maintains its NEMA 4 rating.

All conduits and fittings must be rated and properly installed such that the final installation maintains a NEMA 4 rating.

Punch holes in locations indicated in Figure 6 for the conduit hub.

**Fig. 6 Conduit Openings and Enclosure/Mounting Dimensions**



SURGE RATING	OVERALL DIMENSIONS - IN (mm)			MOUNTING HOLES		CONDUIT FITTING			
	H	W	D	M1	M2	TRADE SIZE	PUNCH LOCATIONS		
						A	C1	C2	C3
80kA	9.50 (241.3)	6.28 (159.5)	6.28 (159.5)	4.00 (101.6)	8.75 (222.3)	3/4 (19.0)	4.38 (111.2)	4.00 (101.6)	3.00 (76.2)
120, 160kA	11.50 (292.1)	8.28 (210.3)	6.28 (159.5)	6.00 (152.4)	10.75 (273.1)	3/4 (19.0)	4.38 (111.2)	5.00 (127.0)	4.00 (101.6)
240, 300, 400kA	15.50 (393.7)	12.28 (311.9)	6.28 (159.5)	10.00 (254.0)	14.75 (374.6)	1.00 (25.4)	4.38 (111.2)	7.00 (177.8)	6.00 (154.2)

## 7. Mounting

### *ServiceTrack ST SPD*

For convenience all units are shipped with a mounting kit consisting of a hub, chase nipple, offset nipple, lock washers and wire bushing. Use the construction methods and hardware appropriate for your site. Install the conduit hub and other supplied hardware. Pull conductors according to sections 4, 5 and 6, herein. See Figure 6 for enclosure and mounting dimensions.

### *ServiceTrack ST Disconnect Switch Options*

See the ServiceTrack ST Disconnect Switch Installation and Operations Manual for the proper mounting methods.

## CONNECTION AND WIRING INSTRUCTIONS

### 1. Phase, Neutral, and Ground Connections

NOTE: In order to connect the ServiceTrack ST, the cover of the unit must be removed. Use care when removing the cover, as there are wires, which run from components on the cover to inside the enclosure of the SPD. The monitor board (located on the backside of the cover) has a cable harness which routes into the enclosure. Additionally there is a ground jumper between the enclosure and the cover. Units supplied with a surge counter have a harness, which runs from the surge counter display to a core inside the unit.



**CAUTION:** Prior to installation ensures the system configuration and voltage is equivalent to the ServiceTrack ST unit being installed.

Following all applicable National Electrical Code standards as well as state and local codes, connect phase, neutral\* and ground to ServiceTrack ST. Ensure that the conductor lengths are kept as short and straight as possible. The 240kA, 300kA and 400kA units come with lugs that can be rotated to face in the direction of the cable exit by loosening the nut on the input terminal lugs in the SPD. Tighten all lugs to 20in-lb (2.2Nm). On all high-leg delta systems, the high-leg (color-coded orange according to NEC) must be connected to the Phase B of the SPD.

\* The 3-wire plus ground Delta ServiceTrack ST does not have a neutral conductor.

## 2. Connecting Form C Dry Contacts

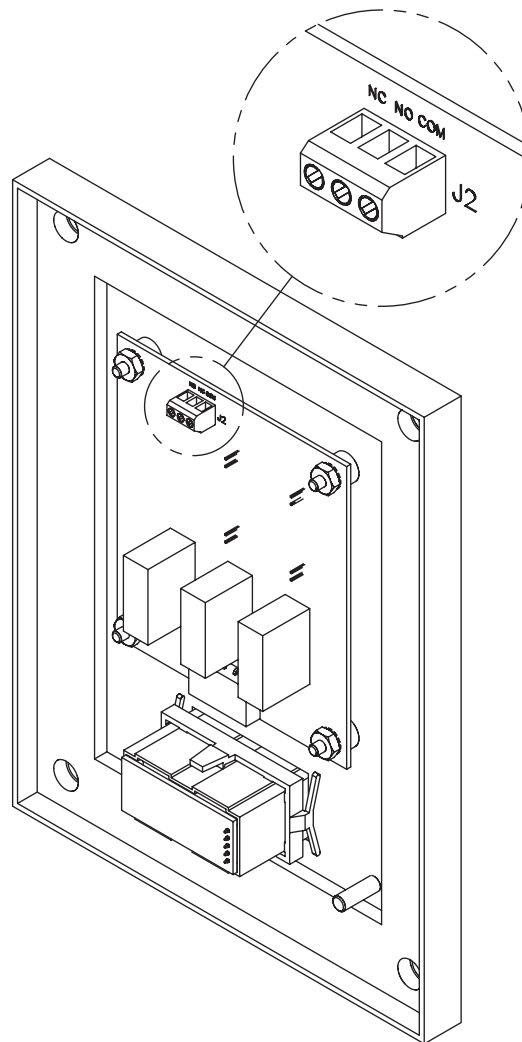
All ServiceTrack ST units come standard with one set of Form “C” dry relay contacts for the surge protective device status. These contacts are for connection to a user-provided remote alarm and monitoring circuit. The relay contacts are rated 65VDC/150VAC with maximum switching power of 30WDC/60VA AC. See Figure 7 for the form C contact configuration and terminal location on the monitor board. The annotations on the diagram match the markings on the terminal block.

When input power is present on all phases, terminals “NO” and “COM” are an open circuit and terminals “NC” and “COM” are a closed circuit. The contacts change state when the unit has encountered failure to one or more phases.

The installer must provide the appropriate raceway and wiring for the monitoring circuit, observing the restrictions and conduit openings illustrated in an earlier section of this manual. The installer must route the monitoring conductors to the terminal blocks on the door-mounted main monitoring board. Route the wires to allow the door to be opened and closed properly. Tighten screws on terminals to 3.5 in-lbs (0.4 Nm). This terminal block will accept wire sizes #28AWG to #16AWG. #18AWG to #20AWG is recommended.

**Fig. 7 Remote Monitoring Terminal Block**

Contacts shown in energized normal state.  
(No fault condition)



COVER REAR VIEW

### 3. Neutral to Ground Filter Jumper

All ServiceTrack ST models with enhanced transient filter, “-F” suffix, (which have a neutral connection) come with a green jumper wire, which loops out of the epoxy and connects the filter from neutral to ground. In certain medical applications or circuits which employ GFCI protection, this Neutral to Ground filter connection should be removed.



**WARNING:** Prior to proceeding, ensure the SPD unit does not have voltage applied to its input terminals.

Removal is accomplished by cutting the green jumper wire. Once cut, both ends should be properly separated and insulated to prevent the ends from making inadvertent electrical contact.

### 4. Disconnect Switch Connections

See the ServiceTrack ST Disconnect Switch Installation and Operations Manual for the proper connection methods.

### 5. Verification and Power Up



**WARNING:** It is recommended that the cover of the ServiceTrack ST unit along with its associated cabling be installed prior to applying power. The monitoring harness, which exits the epoxy and connects to J2 on the monitor board, contains line voltage when power is applied to the unit.

Apply power to ServiceTrack ST by closing the over current protection device or switch feeding the suppressor.



**Fig. 8 Standard Monitoring**

#### For Standard Units

Verify that all “Phase Protection Status” indicating lights are illuminated. The “Check System” indicating light illuminates only upon failure of one or more phases (indicating an alarm condition). Audible alarm should not operate under normal conditions. The audible alarm can be “muted” by pressing the “ALARM SILENCE” button, which subsequently will illuminate the “ALARM SILENCED” light. Pressing the “ALARM SILENCE” button again will enable the alarm.



**Fig. 9 Surge Counter Option**

#### For Units with Surge Counter Monitoring “-B” Option

The number of surges detected by the SPD is displayed on an eight-digit LCD display on the front of the ServiceTrack ST door. The LCD counter is battery backed to maintain the number of surges even during a power loss. Press the button on the counter to reset the surge count.

## TROUBLESHOOTING

Your ServiceTrack ST system does not require scheduled maintenance. The unit's heavy-duty construction is designed to provide years of uninterrupted service. The unit contains no serviceable parts.

INDICATION	PROCEDURE
One or more phase protection status indicating lights are off, check system indicating light is on and form C alarm contacts have changed state	Verify that the input power feeding ServiceTrack ST is energized using a voltage tester. If power is present, contact factory for assistance: 800-647-1911

## TECHNICAL ASSISTANCE

Our staff is ready to support you and answer any questions.

**Monday through Friday, 8:00 a.m. to 5:00 p.m. (EST) at 800-647-1911**

## RETURNS AND WARRANTY PROCEDURES

ServiceTrack ST products are warranted for a period of 30 years from date of purchase. In the event that any module or sub-assembly within the SPD fails to perform as specified during the warranty period, call our Technical Support at 800-647-1911 to obtain a Return Material Authorization number. We will immediately ship a replacement for the defective parts free of charge (installation labor and site preparation excluded). Return the defective parts to Joslyn within 30 days of receiving the replacement. Failure to return the defective parts will result in billing for the replacement parts. To help expedite the return procedures, please have the following information at hand when you contact Joslyn:

INFORMATION	EXAMPLE
Model Number	TK-ST240-3Y208-B
Serial Number	15478-0104-001
Date of Purchase	January 2, 2004 (1st week)
Sales Order Number	15478
Description of Failure	"Check System" indicating light illuminated
Desired Action from Joslyn	Replace





5900 Eastport Boulevard Richmond, VA 23231-4453 USA  
TEL: 800.647.1911  
[www.tpsjoslyn.com](http://www.tpsjoslyn.com)

